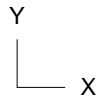
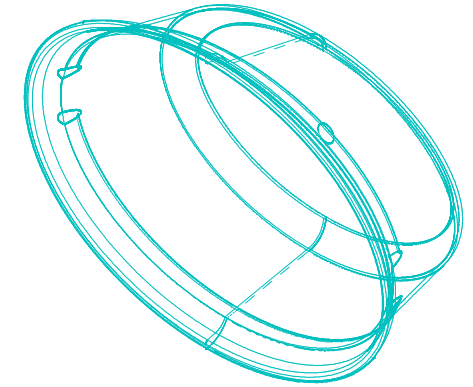
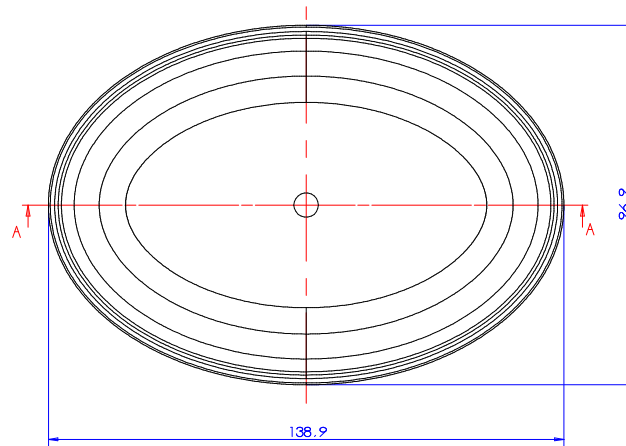
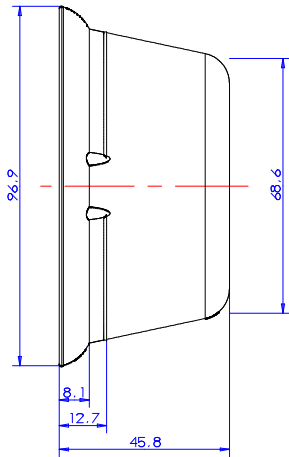
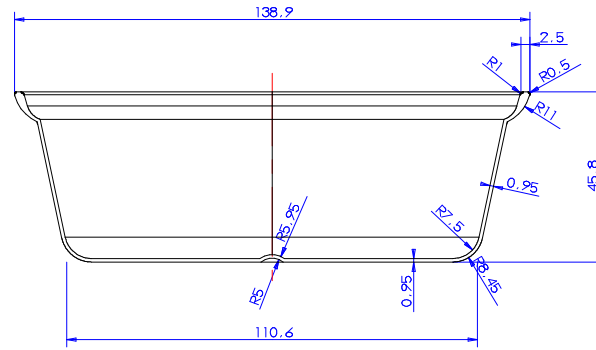
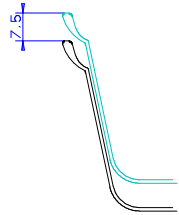


VUE AA

DETAIL EMPILAGE



| Ind. | MODIFICATIONS | DATE |
|--------------|----------------------|--|
| Designation: | TERRINE OVALE ALLEGE | Matiere: PS |
| Reference: | | Densite: 1.05kg/dm3 |
| Client: | | Retrait: 0.4 % |
| | | Poids: 23.3 gr |
| | | Contenance: 320 ml |
| | | DATE: 27-02-06 |
| | | PLAST'ic J.L. GERMAV |
| | | Z.I. de Restavy 56240 PLOUAY |
| | | Tel. (33) 02 97 33 17 17 - Fax (33) 02 97 33 00 77 |
| | | E-mail: info@germay-plastic.com |
| | | 1/1 |
| | | ECP-06022 |