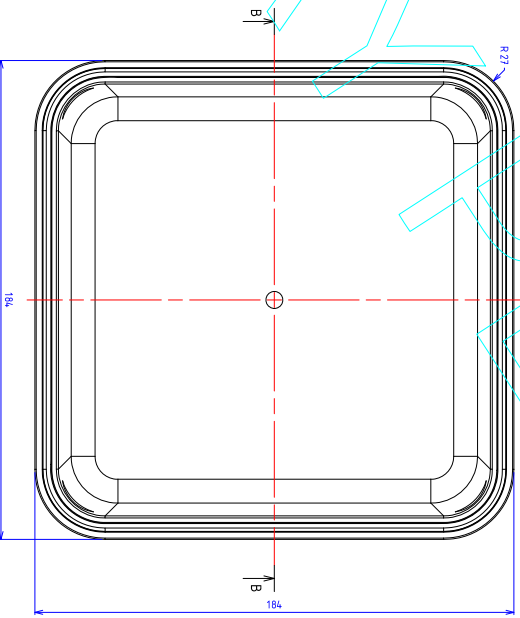
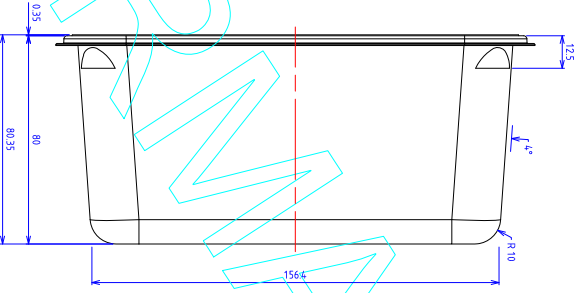
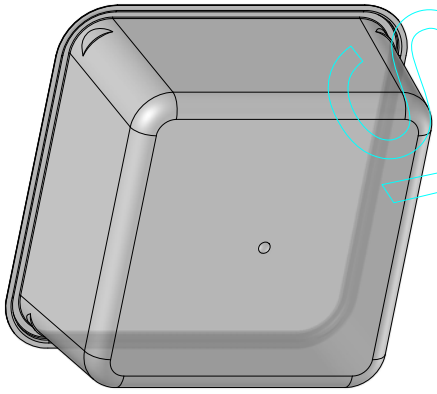
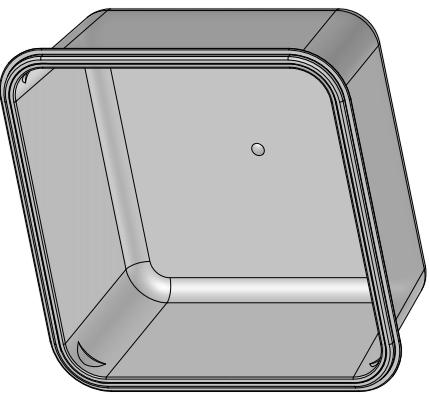


DETAIL
EMPIPAGE
ECH. 2/1



SECTION A-A



<p>GERMAY PLASTI.C. SAS INJECTION & CREATION</p>		<p>13 Boulevard ZIMMERMAN 2 38100 VILLEFRANCA 11-01-2015 www.germayplastis.com</p>	
<p>Project: GP0383-HA</p>		<p>Client: EMPIPAGE</p>	
<p>Designation: SALADIER CARRE 184x184 - H 80</p>		<p>Quantity: 2000 ml</p>	
<p>Material: 1.5 %</p>		<p>Color: 0200000000</p>	
<p>Reference: SAVANT 17500000000000000000</p>		<p>Version: 1.0</p>	
<p>Project: GP0383-HA</p>		<p>Client: EMPIPAGE</p>	
<p>Designation: SALADIER CARRE 184x184 - H 80</p>		<p>Quantity: 2000 ml</p>	
<p>Material: 1.5 %</p>		<p>Color: 0200000000</p>	
<p>Reference: SAVANT 17500000000000000000</p>		<p>Version: 1.0</p>	
<p>Project: GP0383-HA</p>		<p>Client: EMPIPAGE</p>	
<p>Designation: SALADIER CARRE 184x184 - H 80</p>		<p>Quantity: 2000 ml</p>	
<p>Material: 1.5 %</p>		<p>Color: 0200000000</p>	
<p>Reference: SAVANT 17500000000000000000</p>		<p>Version: 1.0</p>	